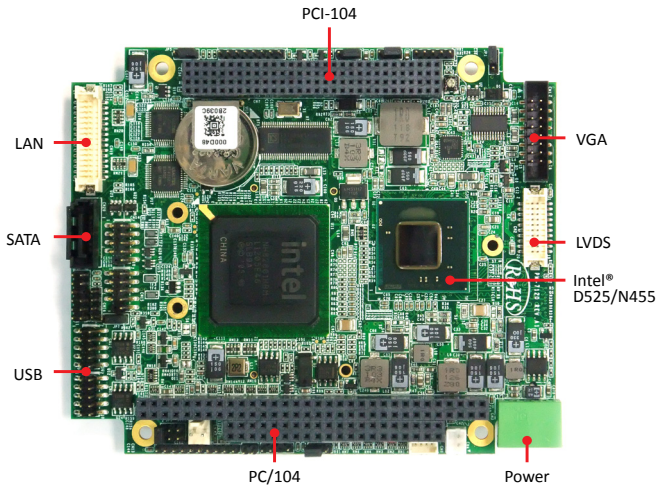
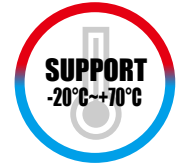


OXY5413A

PERFECTRON

PC/104+ SBC, Intel® Pineview D525 with DDR3 SO-DIMM, Dual Display by VGA/LVDS PC/104, PCI-104, Dual GbE LAN and +5V/12V DC-in



Main Features

- Intel® Atom D525 CPU onboard
- VGA/LVDS dual display
- SATA and CFAST socket
- Dual GbE LAN
- PCI-104 and PC/104
- Wide operating temp. -20°C ~ +70°C

► Specifications

System

CPU Type	Intel® Atom™ D525 1.80GHz onboard
Chipset	Intel® ICH8M
Memory Type	1 x 204pin SO-DIMM DDR3 800 up to 2GB
BIOS	AMI® BIOS
Super I/O	SMSC SCH3112
Watchdog	1-255 sec. or 1-255 min. software programmable and can be generate system reset
Expansion Slot	PC/104, PCI-104

Display

Chipset	Integrated Intel® GMA3150 GFX Render Core
VGA	Yes (Max resolution 2048 x 1536)
LVDS	Support Single channel 18bit LVDS (Max resolution 1366x768)
Dual Independent Displays Capability	VGA+LVDS

Audio

Codec	Realtek ALC269 High Definition Audio Codec
-------	--

Ethernet

Chipset	2 x RTL8111DL GbE LAN
WOL	Yes
Boot from LAN	Yes for PXE

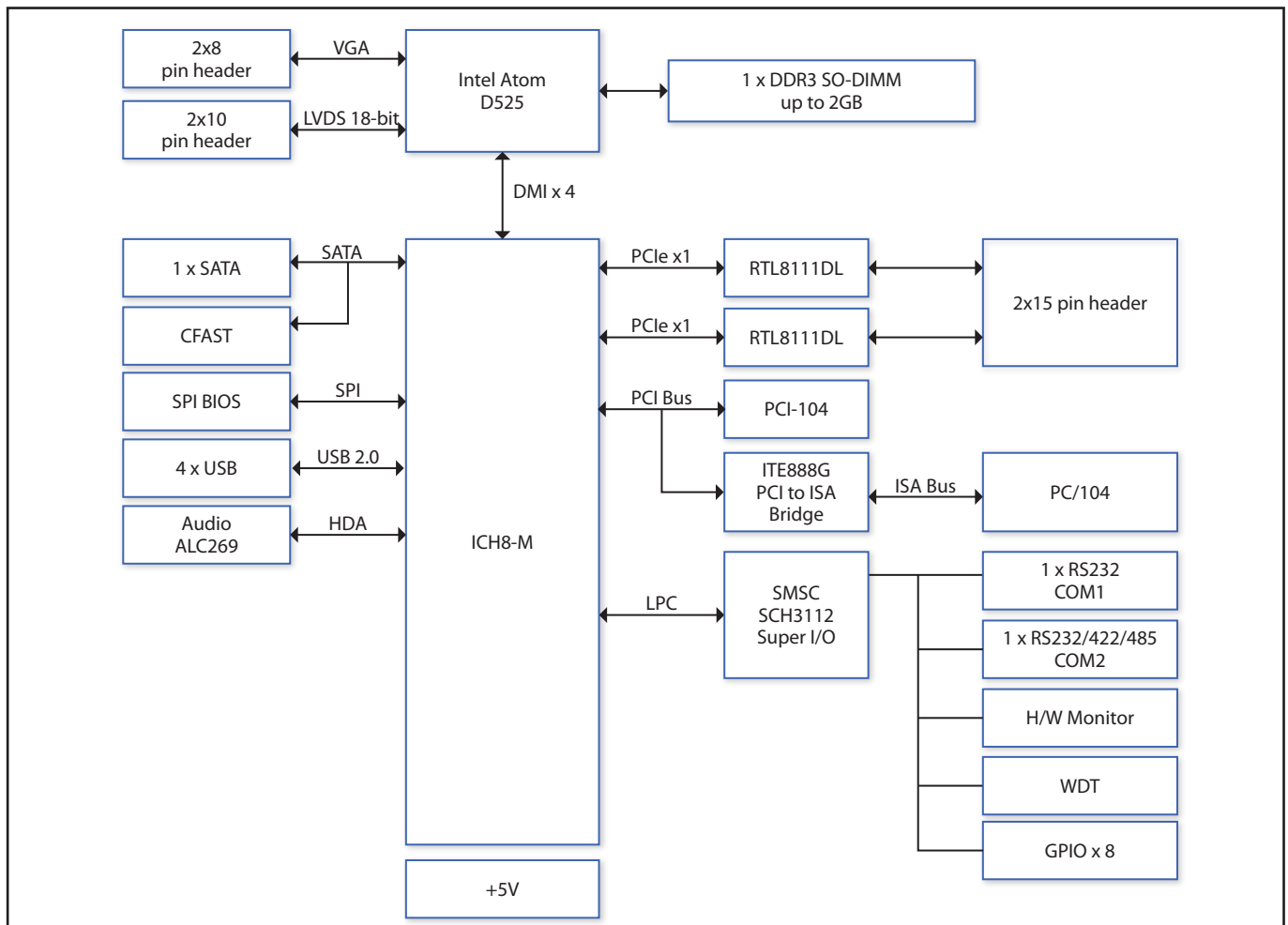
Internal I/O

SATA	1 x SATAII (3Gb/s)
SSD	1 x CFAST Socket
USB	4 ports by 2 x 5 pin header
COM	2 ports by 2 x 5 pin header COM2 supports RS232/422/485
VGA	2 x 8 pin header
LAN	2 x 15 pin header
LVDS	20 pin connector

Mechanical and Environment

Form Factor	PC/104+
Power type	+5V/12V DC-in
Dimension	96mm x 115mm (3.8" x 4.5")
Operating Temperature	-20°C ~ +70°C
Storage Temperature	-20°C ~ +85°C
Relative Humidity	10% ~ 97% (operating, non-condensing) 5% ~ 97% (non-operating, non-condensing)

► Block Diagram



► Packing list

- OXY5413A PC/104+ SBC
- CD (Driver + user's manual)
- Cable Kit (optional)
- LAN Kit (optional)
- Stacker Kit (optional)

► Ordering Information

Modules

Model Number	Description
OXY5413A	PC/104+ SBC, Intel® Pineview D525 with DDR3 SO-DIMM, Dual Display by VGA/LVDS PC/104, PCI-104, Dual GbE LAN and +5V/12V DC-in (0°C~+60°C)
OXY5413A-ET	PC/104+ SBC, Intel® Pineview D525 with DDR3 SO-DIMM, Dual Display by VGA/LVDS PC/104, PCI-104, Dual GbE LAN and +5V/12V DC-in (-20°C~+70°C)

LAN Kit

LAN Card & Cable

Stacker Kit

PC/104 Stacker (64 pin + 40pin)
PCI-104 Stacker